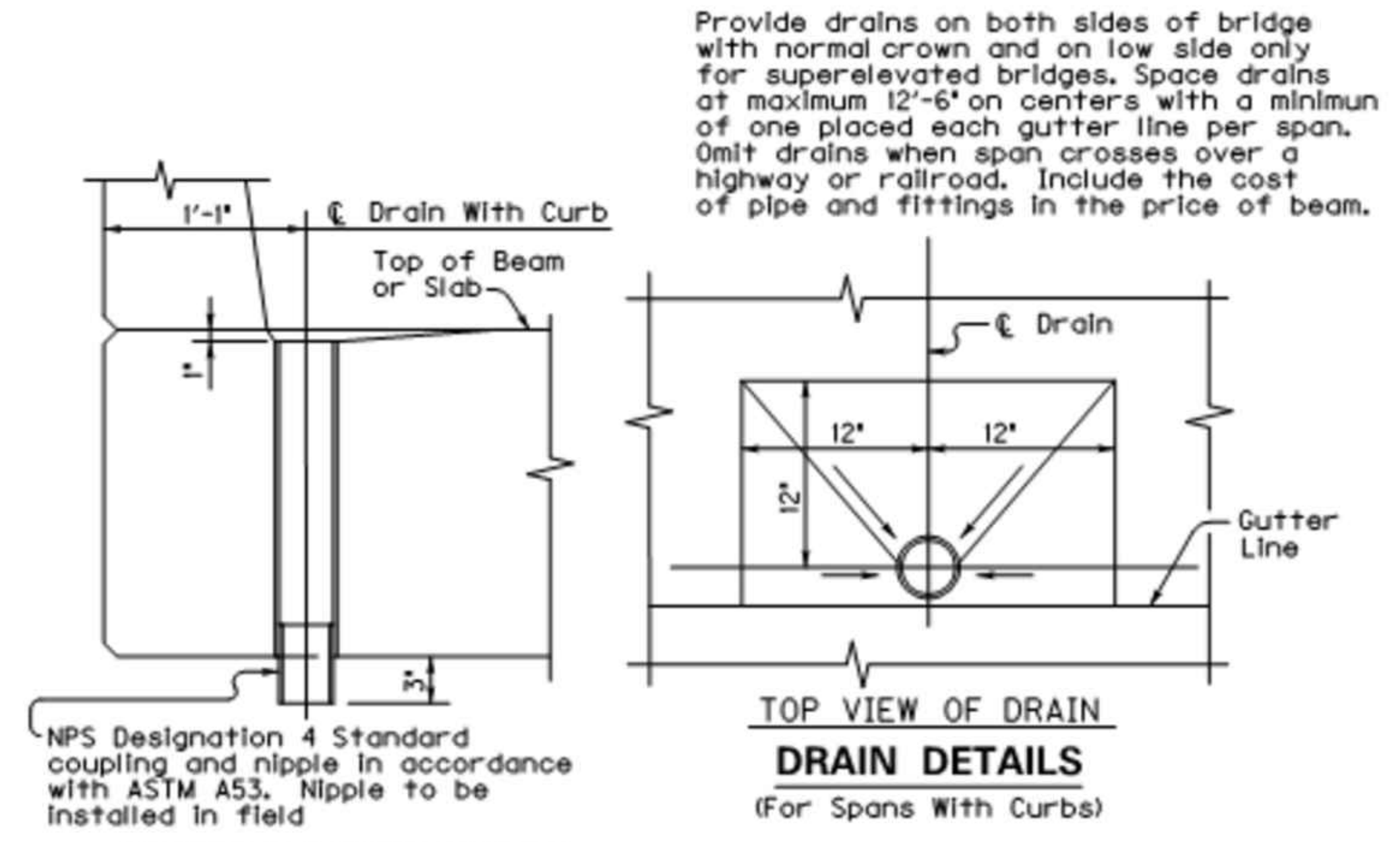


SECTION THRU LATERAL TENSIONING ROD

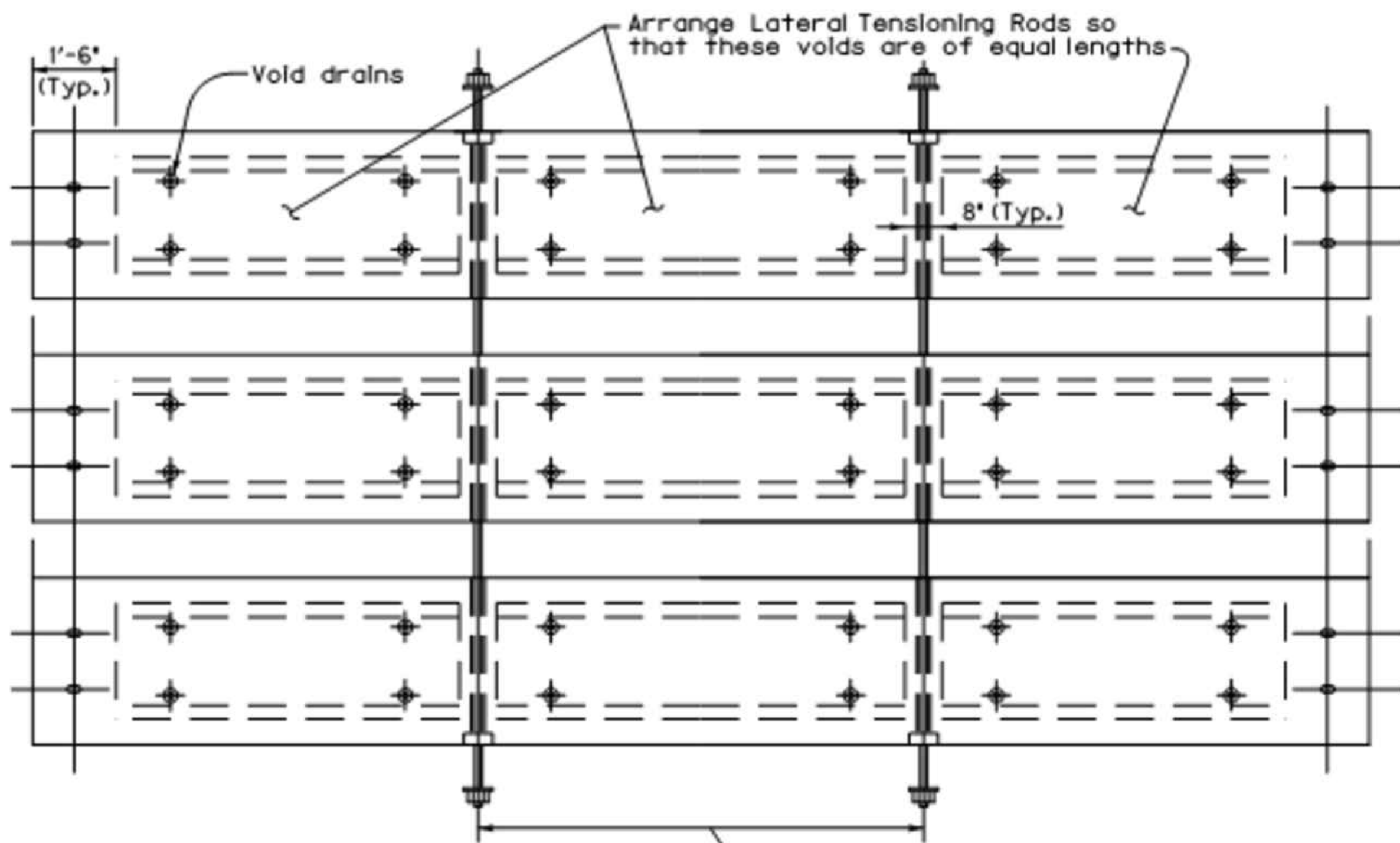


SECTION THRU DRAIN EXTERIOR BOX BEAM
(Showing coupling in barrier)

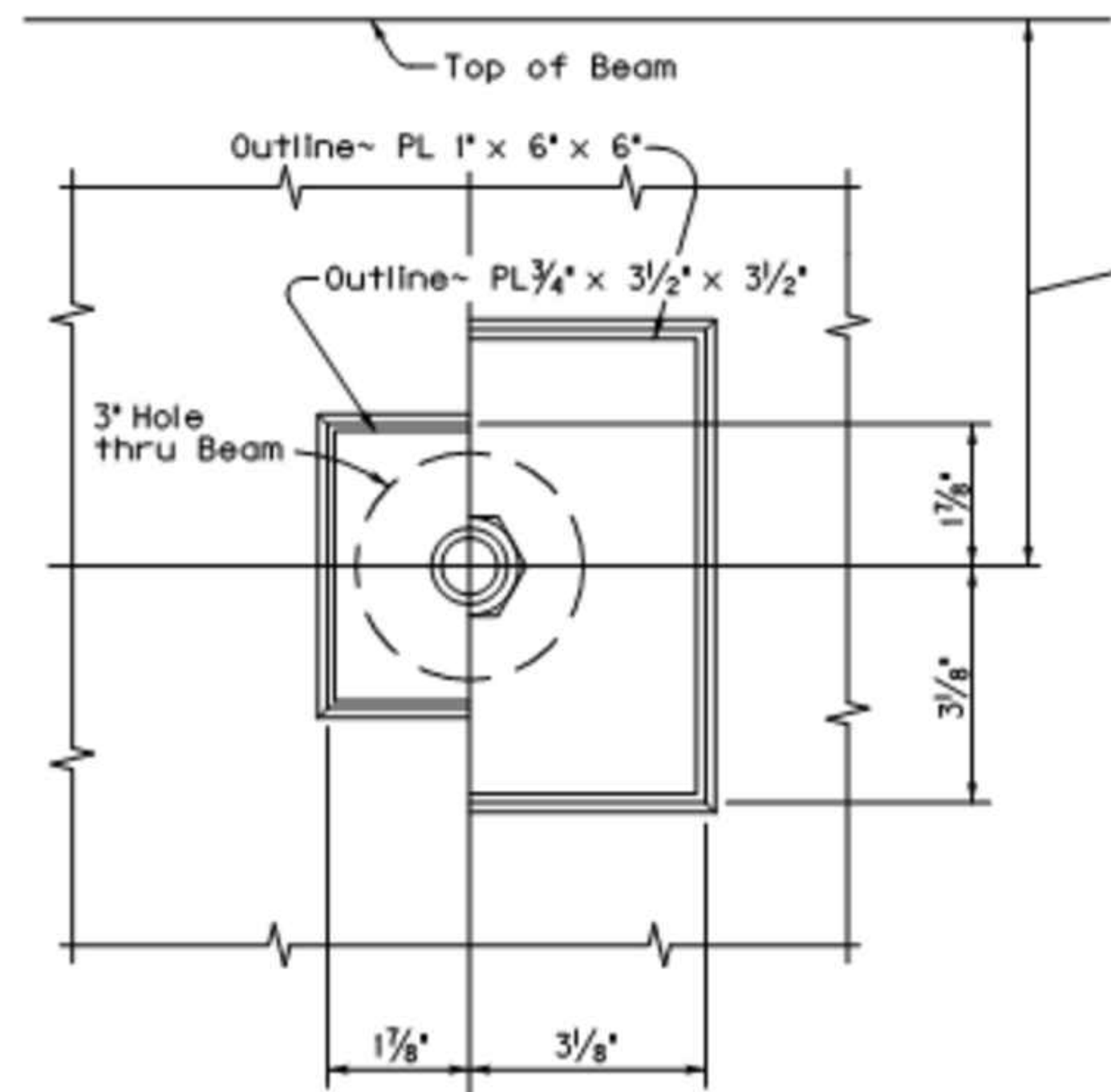
GENERAL NOTES

LATERAL TENSIONING RODS: After the deck units are in place, apply a preliminary tension to the lateral tensioning rods. Perform final tensioning that yields 20,000 psi as developed by a torque of 200 ft./lbs. Provide lateral tensioning rods and plates conforming to ASTM A36 with heavy hex nuts conforming to ASTM A307.

NOTE: Omit shear key on exterior face of exterior beam.

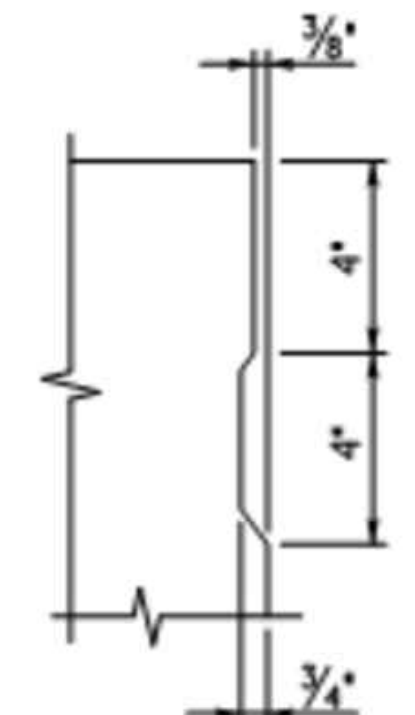


SECTIONAL PLAN SHOWING LATERAL TENSIONING METHOD FOR STRAIGHT SPANS

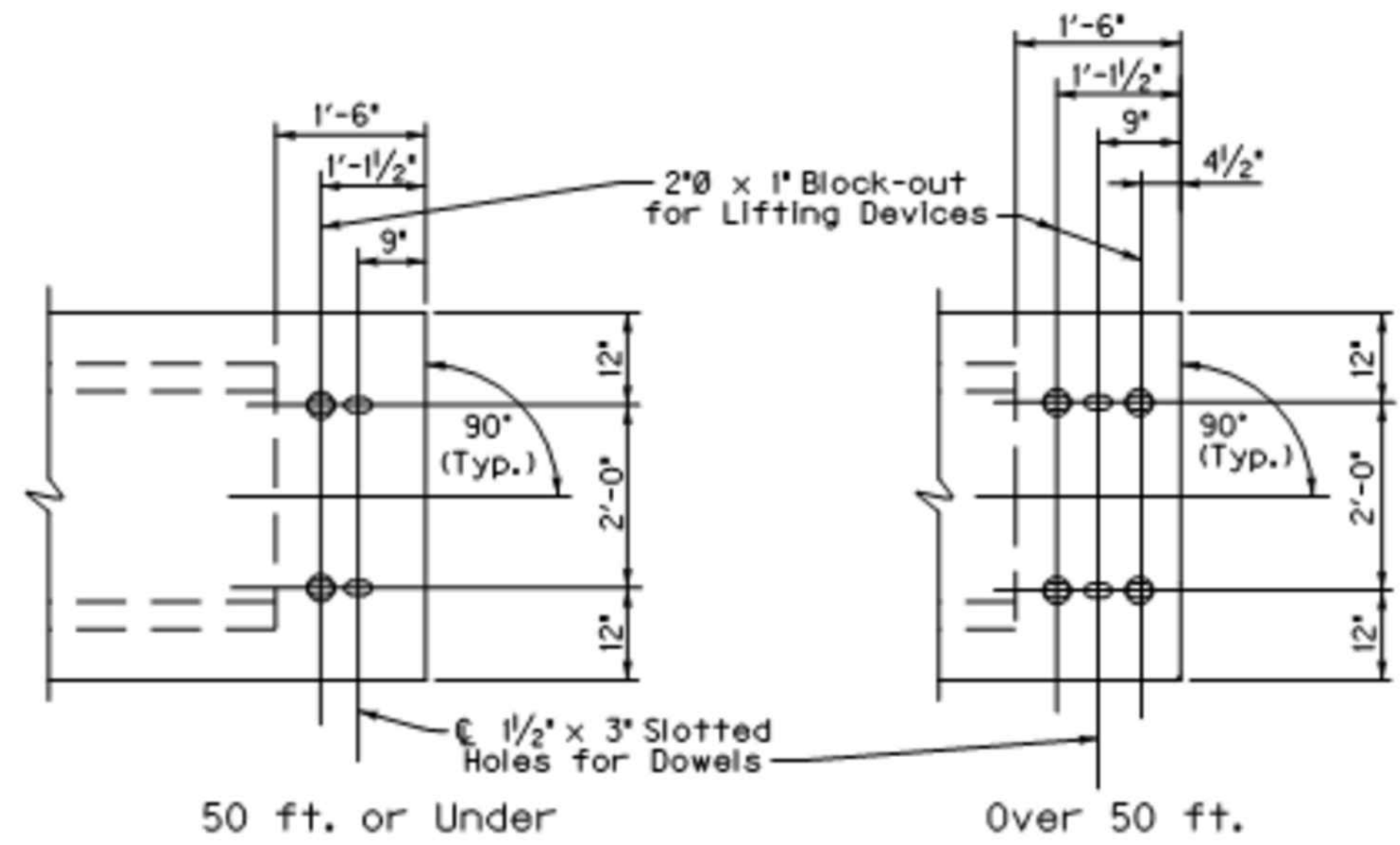


SECTIONAL END PLAN
(Lateral Tension Rod Details)

- 6" ~ B12 & CB12
- 8 1/2" ~ B17 & CB17
- 10 1/2" ~ B21 & CB21
- 12" ~ B27 & CB27
- 12" ~ B33 & CB33
- 12" ~ B42 & CB42



SHEAR KEY DETAIL



NOTE: Void omitted on 12" beams.

TYPICAL STRAIGHT END

DATE	REVISION	BY

PROJECT NO. 2071-08	DESIGNED BY: G.R.	CHECKED BY: G.R.	REVIEWED BY: G.R.
	DRAWN BY: M.S.E.		

MS&E
OF KENTUCKY, INC.
 Engineers
 Architects
 Planners
 624 Wellington Way
 Lexington, Ky. 40503
 Phone: (859)223-6694
 Fax: (859)223-2607
 www.ms&e.com